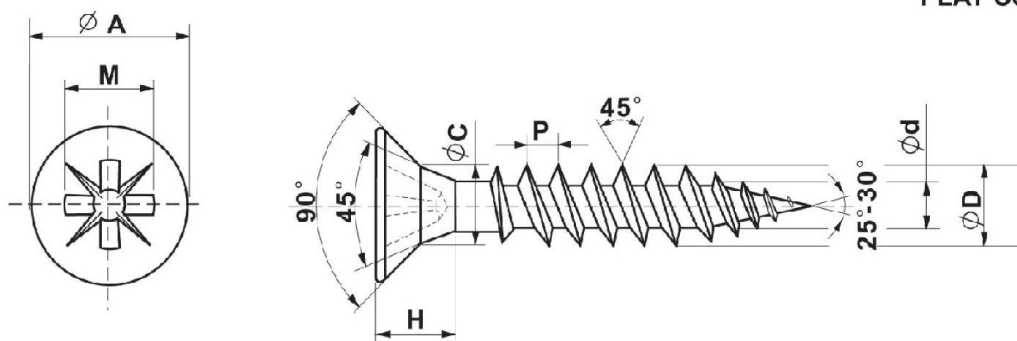


苏州金宝贝五金有限公司

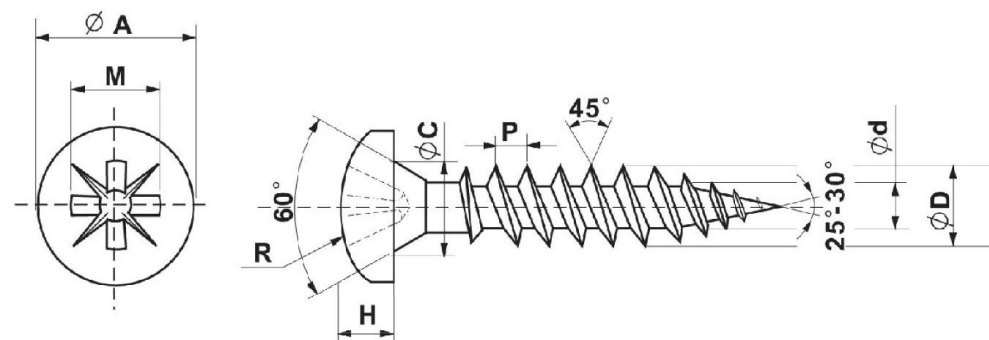
Suzhou Gemic Hardware Co., Ltd

CHIPBOARD SCREW

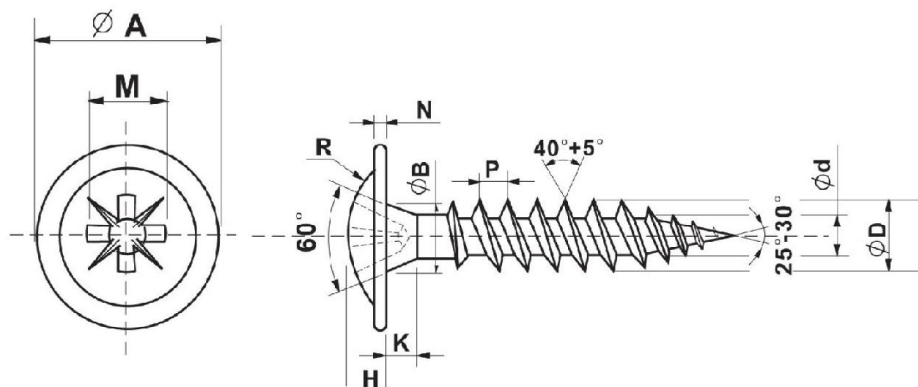
FLAT CSK HEAD



PAN HEAD



OVAL HEAD



- STANDARD: DIN, ANSI, BS
- MATERIAL: STEEL C1022
- HARDNESS OF CORE: 300-460 HV
- HARDNESS OF SURFACE: 450-700 HV
- FINISH: ZINC PLATED

GAUGE	2.5	3.0	3.5	4.0	4.5	5.0	6.0
LENGTH	10-25	10-40	13-50	13-70	16-80	16-100	25-180