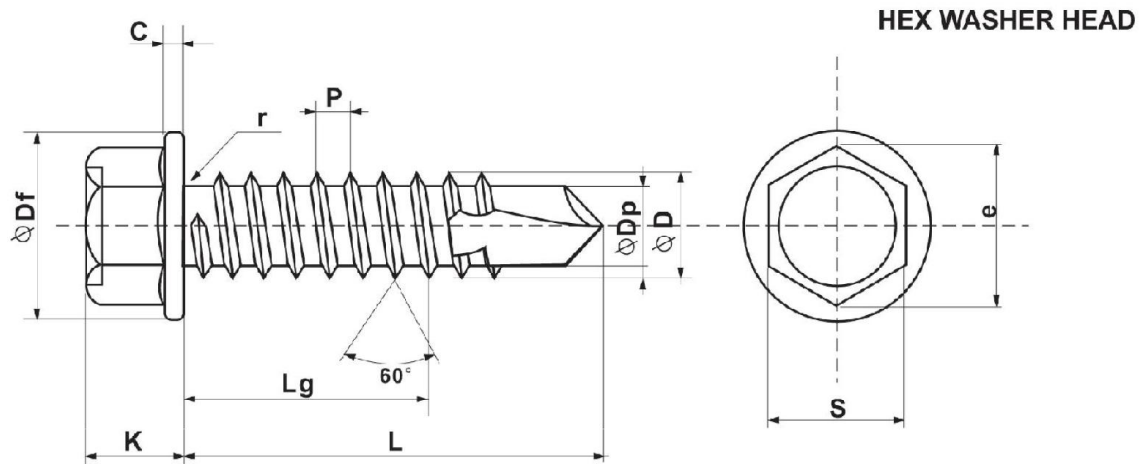
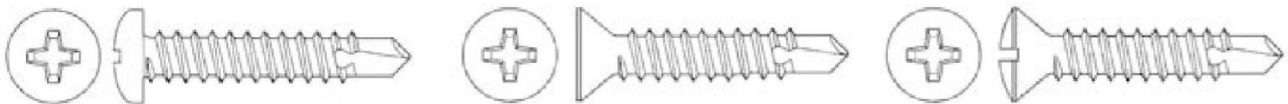


SELF DRILLING SCREW



- STANDARD: DIN, ANSI
- MATERIAL: STEEL C1022
- HARDNESS OF CORE: 280-420 HV
- HARDNESS OF SURFACE: ≥ 550 HV
- FINISH: ZINC PLATED, MECHANICAL GALVANIZED, DACROTIZED
- GAUGE #6 #8 #10 #12 #14 / 3.5, 4.2, 4.8, 5.5, 6.3



PAN HEAD

FLAT CSK HEAD

OVAL HEAD

GAUGE: #6, #8, #10 / 3.5, 4.2, 4.8

Various separate washers and bounded washers can be assembled.

